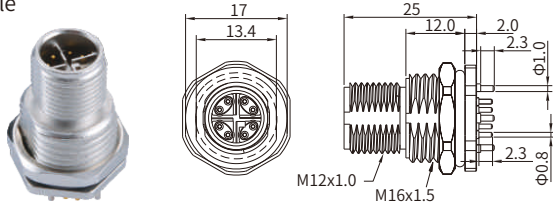


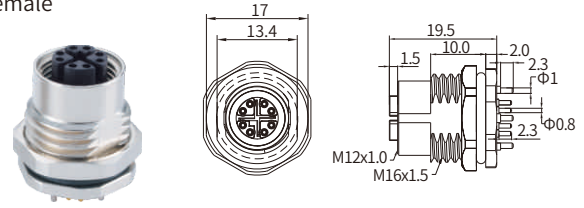
M12 X-coding (Ethernet)

M12 X-coding Straight Connector, Panel Mount, PCB Type, Front fastened, With Earth Pin

Male



Female



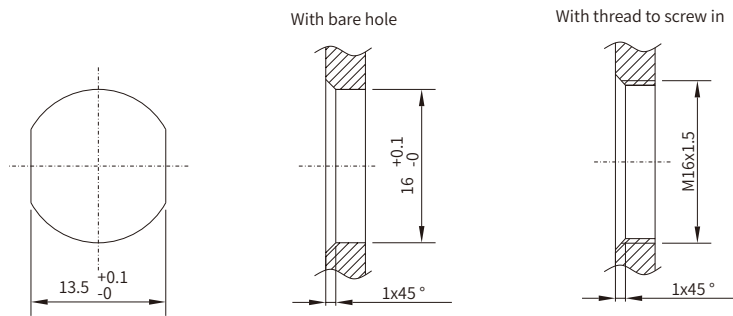
Specifications

Contacts	8
Pin layout(Male)	
Pin layout(Female)	
Standard	IEC 61076-2-109
Ambient temperature	-25°C ~ +90°C
Connector insert	PA
Connector contacts	Brass with gold plated
Coupling nut/screw	Brass/Zinc with nickel plated
Seal/O-ring	Epoxy resin / FKM
Insulation resistance	≥100MΩ
Contact resistance	≤10mΩ
Earth tag/pin	Available
IP rating	IP67, IP68 in locked condition
Mating endurance	>500 cycles
Rated current	0.5 A
Rated voltage	50V AC; 60V DC

Part Number

Pins	Male M16x1.5	Female M16x1.5
8	MB12MBSXFF08ST-2	MB12FBSXFHD08ST-2

Panel Cut-out Dimensions



PCB Layout

